

DESCRIPTION

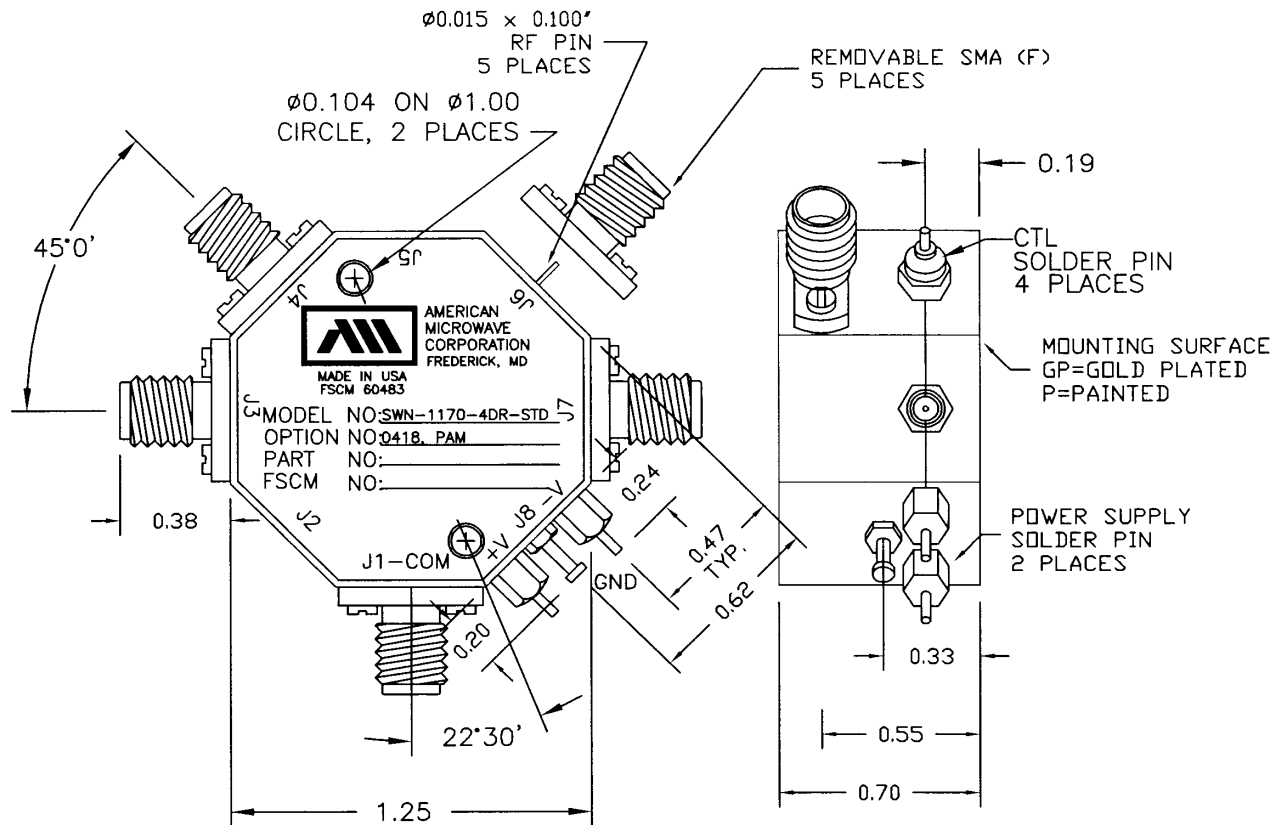
AMC MODEL SWN-1170-4DR-STANDARD OPTIONS 0418, PAM IS A SINGLE POLE FOUR THROW, REFLECTIVE SWITCH MODULE WITH HIGH ISOLATION, LOW LOSS, HIGH SPEED, AND WITH INTEGRAL TTL DRIVER, DESIGNED FOR BROAD BAND OPERATIONS.

REVISIONS				
ZONE	REV.	DESCRIPTION	DATE	APPROVED
	-	ORIGINAL RELEASE, JOB# 908138E	11/05/09	

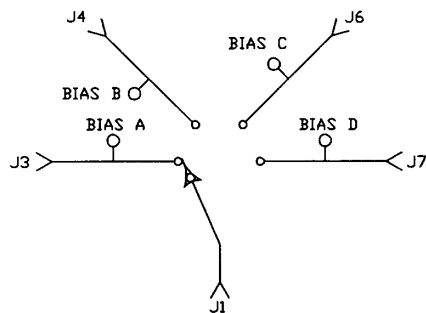
SPECIFICATIONS:

- FREQUENCY: 0.4 GHz TO 18 GHz
- INSERTION LOSS: REFLECTIVE: 3.0db
- ISOLATION: 0.5 GHz TO 2 GHz: 60db
2 GHz TO 18 GHz: 70db
- VSWR: REFLECTIVE IN/OUT: 2.0:1
- SPEED: RISE: 10ns TYPICAL, 15ns MAX.
FALL: 10ns TYPICAL, 15ns MAX.
DELAY ON: 75ns TYPICAL, 100ns MAX.
DELAY OFF: 75ns TYPICAL, 100ns MAX.
- POWER INPUT: (CW)+20dBm (STANDARD), +10 dBm (HIGH SPEED)
- SURVIVAL POWER: 1 WATT CW, 10 WATTS PEAK 1 usec
- CONTROL: TTL LOGIC "0"=ON "1"=OFF
- POWER SUPPLY: +5V @ 200 mA MAX.
-5V @ 75mA MAX.
- SIZE: 1.25" (L) x 1.25" (W) x 0.70" (H)
- WEIGHT: 1.5 oz.

MECHANICAL OUTLINE



BLOCK DIAGRAM



CONFIDENTIAL AND PROPRIETARY

ENVIRONMENTAL RATINGS:

- TEMPERATURE: -55°C TO +85°C (OPERATING)
-65°C TO +125°C (STORAGE)
- HUMIDITY: MIL-STD-202F, METHOD 103B COND. B
- SHOCK: MIL-STD-202F, METHOD 213B COND. B
- VIBRATION: MIL-STD-202F, METHOD 204D COND. B
- ALTITUDE: MIL-STD-202F, METHOD 105C COND. B
- TEMPERATURE CYCLE: MIL-STD-202F, METHOD 107D COND. A

NOTE: THE ABOVE SPECIFICATIONS ARE SUBJECT TO CHANGE OR REVISION

		AMERICAN MICROWAVE CORPORATION FREDERICK, MARYLAND		
APPROVALS	DATE	TITLE		
DRAWN <i>WHL</i>	11/05/09	PRODUCT FEATURE SWN-1170-4DR-STANDARD OPTIONS 0418, PAM		
CHECKED		SIZE	FSCM NO.	DWG NO.
ISSUED		A	60483	100-6831
		SCALE	N/S	SHEET 1 of 3